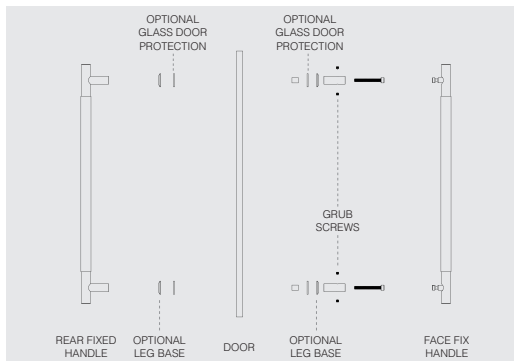


Solid Brass Pull Handle - Round Profile**Product codes**8354, 8357, 8360, 8353, 8356, 8359,
8355, 8358, 8361**Includes**Pull Handles
Fixings

Optional Leg Bases

Optional Glass Protective Hardware

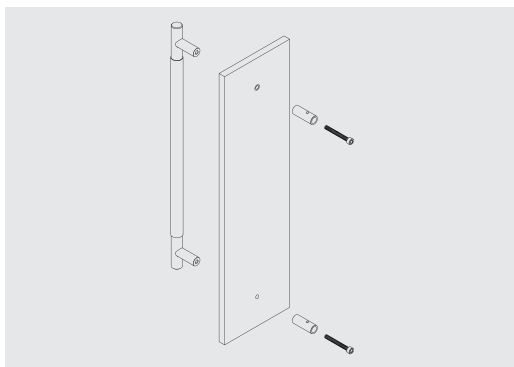
1. Take the face fixed Pull Handle apart by unscrewing the grub screws on both legs.



2. Mark the fixing position for the Pull Handle on the door. Ensure adequate space is provided for the clearance of knuckles on the door jamb.
3. Drill two pilot 6.5mm diameter holes at vertical positions for the leg centres.
 - 450mm o/a handle - 390mm crs
 - 600mm o/a handle - 540mm crs
 - 900mm o/a handle - 840mm crs

4. Insert the bolts through the legs and then through the door and tighten them onto rear fixed handle.

Note: use the long bolts provided for timber doors or the short bolts for glass doors. Only use the plastic sleeves and washers for glass doors.



5. Insert the face fixed handle into the Pull Handle legs and secure it with the grub screws.

